

**Version : 1.0**

TECHNICAL SPECIFICATION  
MODEL NO. : PD057VT4

The content of this information is subject to be changed without notice.  
Please contact PVI or its agent for further information.

Customer's Confirmation

Customer \_\_\_\_\_

Date \_\_\_\_\_

By \_\_\_\_\_

PVI's Confirmation



Confirmed By \_\_\_\_\_



Prepared By \_\_\_\_\_

## Revision History

<b>Rev.</b>	<b>Issued Date</b>	<b>Eng.</b>	<b>Revised</b>	<b>Contents</b>
1.0	Jun.24, 2008	吳昌霖	New	

# TECHNICAL SPECIFICATION

## CONTENTS

<b>NO.</b>	<b>ITEM</b>	<b>PAGE</b>
-	Cover	1
-	Revision History	2
-	Contents	3
1	Application	4
2	Features	4
3	Mechanical Specifications	4
4	Mechanical Drawing of TFT-LCD module	5
5	Input / Output Terminals	6
6	Touch Panel Characteristics	8
7	Absolute Maximum Ratings	10
8	Electrical Characteristics	10
9	Pixel Arrangement	11
10	Display Color and Gray Scale Reference	12
11	Interface Timing	13
12	Power On Sequence	15
13	Optical Characteristics	15
14	Handling Cautions	19
15	Reliability Test	20
16	Packing Diagram	21

## 1. Application

This data sheet applies to a color TFT LCD module, PD057VT4.

PD057VT4 module applies to OA product, car TV (must use Analog to Digital driving board), which requires high quality flat panel display. If you must use in severe reliability environment, please don't extend over PVI's reliability test conditions.

## 2. Features

- . VGA (640\*480 pixels) resolution
- . Module with resistive type touch panel
- . Amorphous silicon TFT LCD panel with back-light unit
- . Pixel in stripe configuration
- . Thin and light weight
- . Display Colors : 262,144 colors
- . TTL interface

## 3. Mechanical Specifications

Parameter	Specifications	Unit
Screen Size	5.7 (diagonal)	inch
Display Format	640×(R,G,B)×480	dot
Display Colors	262,144	
Active Area	115.20 (H)×86.4 (V)	mm
Pixel Pitch	0.18(H)×0.18(V)	mm
Pixel Configuration	Stripe	
Outline Dimension	144.0 (W)×104.6(H)×14.45 (D) (typ.)	mm
Weight	246±10	g
Back-light	36-LED	
Surface treatment	Anti-glare + EWV film	
Display mode	Normally white	
Gray scale inversion direction	6 o'clock [ ref to Note 13-1 ]	



## 5. Input / Output Terminals

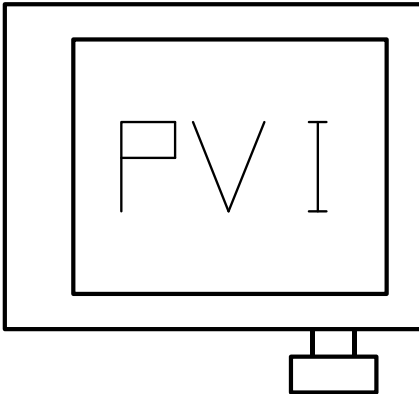
### 5-1) TFT-LCD Panel Driving

Connector type: ELCO 08-6210-033-340-800A+, PIN No 33 pins, pitch=0.5mm

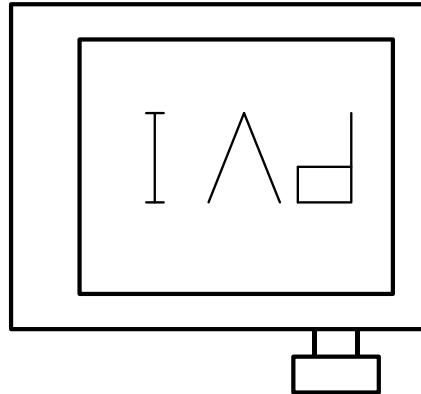
Pin No	Symbol	I/O	Description	Remark
1	GND	-	GND	
2	CK	I	Clock signal for sampling each data signal	
3	Hsync	I	Horizontal synchronous signal (negative)	
4	Vsync	I	Vertical synchronous signal (negative)	
5	GND	-	GND	
6	R0		RED data signal (LSB)	
7	R1	I	RED data signal	
8	R2	I	RED data signal	
9	R3	I	RED data signal	
10	R4	I	RED data signal	
11	R5	I	RED data signal (MSB)	
12	GND	-	GND	
13	G0	I	GREEN data signal (LSB)	
14	G1	I	GREEN data signal	
15	G2	I	GREEN data signal	
16	G3	I	GREEN data signal	
17	G4	I	GREEN data signal	
18	G5	I	GREEN data signal (MSB)	
19	GND	-	GND	
20	B0	I	Blue data signal (LSB)	
21	B1	I	Blue data signal	
22	B2	I	Blue data signal	
23	B3	I	Blue data signal	
24	B4	I	Blue data signal	
25	B5	I	Blue data signal (MSB)	
26	GND	-	GND	
27	ENAB	I	Signal to settle the horizontal display position(positive)	Note5-1
28	V <sub>CC</sub>	-	+3.3V power supply	
29	V <sub>CC</sub>	-	+3.3V power supply	
30	R/L	I	Horizontal display mode select signal L : Normal , H : Left /Right reverse mode	Note5-2
31	U/D	I	Vertical display mode select signal H : Normal , L : Up/Down reverse mode	
32	V/Q	I	H : Normal	
33	GND	-	GND	

Note5-1 : The horizontal display start timing is settled in accordance with rising of ENAB signal.  
In case ENAB is fixed "Low", the horizontal start timing is determined as described in 10-2. Don't keep ENAB "High" during operation.

Note 5-2 : The definitions of U/D & R/L



R/L(PIN 30)= Low, U/D(PIN 31)= High



R/L(PIN 30)= High , U/D(PIN 31)= Low

**5-2) LED Backlight driving**

Connector type: JST BHR-03VS-1, PIN No 3 pins

Pin No	Symbol	Description	Remark
1	+	Input terminal (Anode)	Red
2	NC	No connect	-
3	-	Input terminal (Cathode)	Black

**6.Touch Panel Characteristics**

**6-1) Pin assignment :**

Pin No.	Designation	Remark
1	YU (Bottom)	
2	XL (Top)	
3	YL (Bottom)	
4	XR (Top)	

**6-2) Electrical Performance :**

Parameters	Symbol	MIN.	Typ.	MAX.	Unit	Remark
Terminal Resistance	X	400	550	810	$\Omega$	
	Y	230	310	540	$\Omega$	
Input Voltage	V <sub>T</sub>	-	5	7	V	
Linearity (X ,Y direction)		-	-	$\pm 1.5$	%	
Insulation Impedance		20	-	-	M $\Omega$	DC 25V
Response Time		-	-	15	ms	
Operation Force		-	-	50	g	Note 6-1

Note 6-1 Input through R0.8mm stylus or R8.0mm finger.

**6-3) Durability Performance**

1. Hitting Durability:

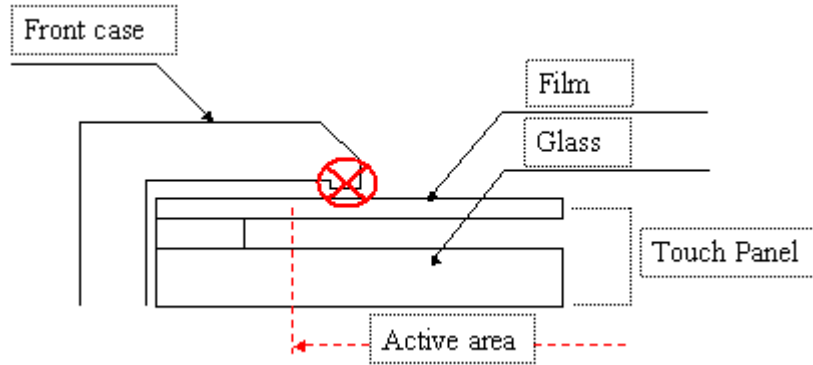
At least 1,000,000 times with R8.0mm silicon rubber, 250g, 3 times/sec.

2. Sliding Durability:

At least 1,00,000 times with R0.8mm polyacetal stylus, 250g, 60 mm/sec.

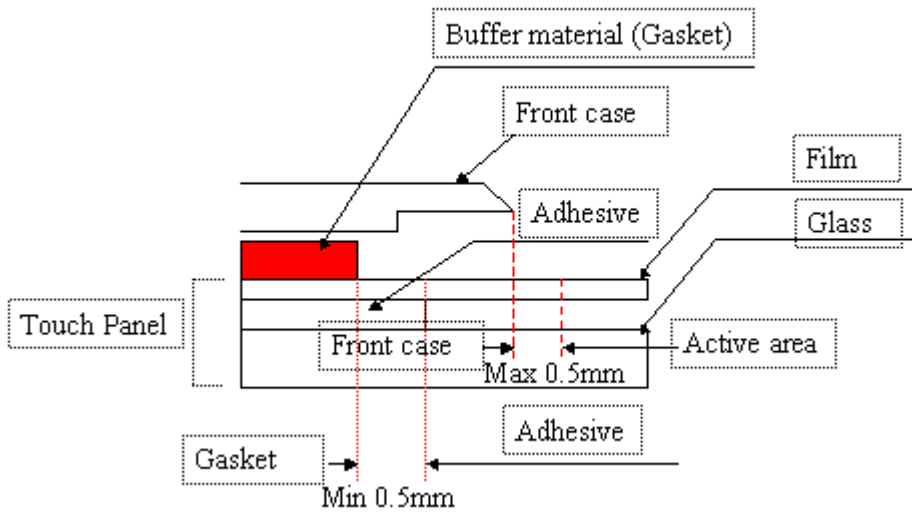
**6-4) Integration Design Guide**

Avoid the design that Front-case overlap and press on the active area of the touch-panel.  
 Give enough gap (over 0.5mm at compressed) between the front case and touch-panel to protect wrong operating.



Use a buffer material (Gasket) between the touch-panel and front-case to protect damage and wrong operating.

Avoid the design that buffer material overlap and press on the inside of touch-panel viewing area.



Note 6-2 We strongly suggest to follow above design guide to avoid the linear defect happened on the touch panel.

**7. Absolute Maximum Ratings:**

GND=0V, Ta=25°C

Parameters	Symbol	Condition	MAX.	Unit	Remark
Input Voltage	V <sub>I</sub>	Ta=25°C	-0.3~+4	V	Note7-1
+3.3V supply voltage	V <sub>CC</sub>	Ta=25°C	0~+3.6	V	

Note7-1:CK,R0~R5,G0~G5,B0~B5,Hsync,Vsync,ENAB,R/L,U/D,V/Q

**8. Electrical Characteristics**

**8-1) Recommended Operating Conditions:**

GND=0V, Ta=25°C

Item	Symbol	Min.	Typ.	Max.	Unit	Remark
+3.3V Supply Voltage	V <sub>CC</sub>	+3.0	+3.3	+3.6	V	
Permissive input ripple voltage	V <sub>RF</sub>	-	-	100	mVp-p	V <sub>CC</sub> =3.3V
Input voltage(Low)	V <sub>IL</sub>	0	-	0.3 V <sub>CC</sub>	V	
Input voltage(High)	V <sub>IH</sub>	0.7 V <sub>CC</sub>	-	V <sub>CC</sub>	V	

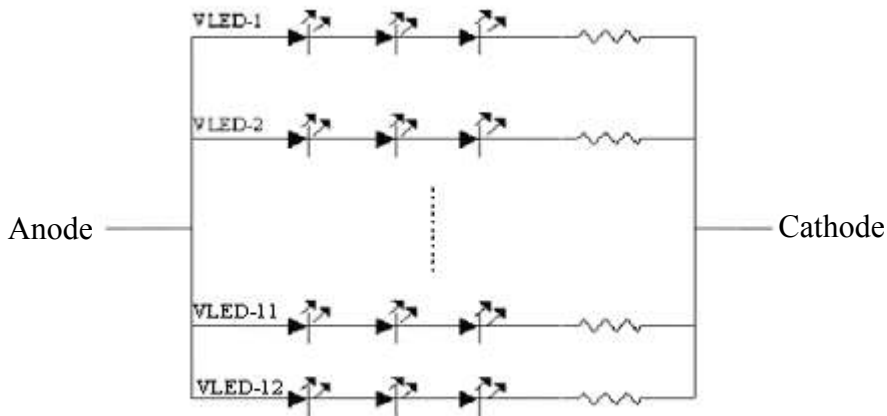
**8-2) Recommended Driving Condition for LED Back Light**

Ta=25°C

Parameter	Symbol	Min.	Typ.	Max.	Unit	Remark
LED voltage	V <sub>LED</sub>	-	-	(11)	V	I <sub>L</sub> = 20mA
LED current	I <sub>LED</sub>	-	20	-	mA	Note 8-1
Back Light Power Consumption	P <sub>LED</sub>	-	-	2640	mW	Note 8-2

Note 8-1 : The LED driving condition is defined for each LED module. (3 LED Serial)

Note 8-2 :  $P_{LED} = V_{LED-1} * I_{LED-1} + V_{LED-2} * I_{LED-2} \dots + V_{LED-11} * I_{LED-11} + V_{LED-12} * I_{LED-12}$   
 Input current = 20mA\*12=240mA



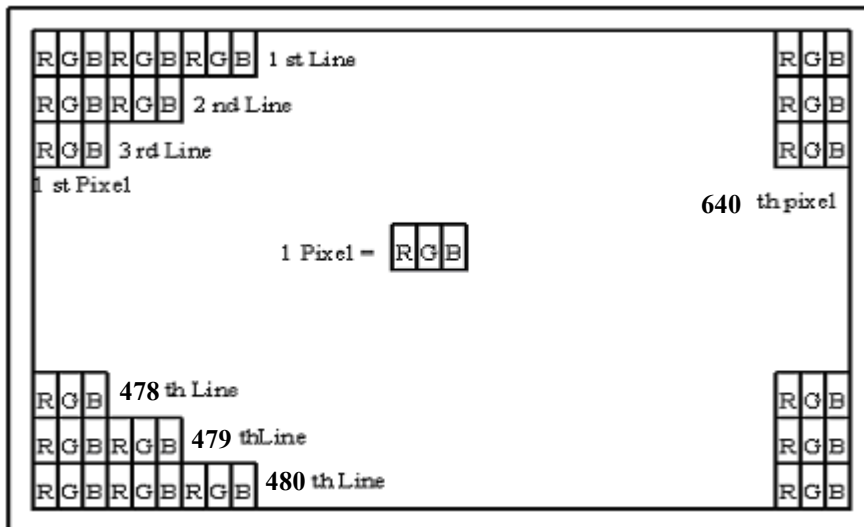
**8-3) Power Consumption**

Parameters	Symbol	Typ.	Max.	Unit	Remark
+3.3V Current Dissipation	I <sub>CC</sub>	67	75	mA	
LCD Panel Power Consumption	-	0.22	0.25	W	Note 8-3
Total Power Consumption	-	-	2.89	W	

Note 8-3: The power consumption for back light is not included.

**9. Pixel Arrangement**

The LCD module pixel arrangement is stripe configuration.



10. Display Color and Gray Scale Reference

Color		Input Color Data																	
		Red						Green						Blue					
		R5	R4	R3	R2	R1	R0	G5	G4	G3	G2	G1	G0	B5	B4	B3	B2	B1	B0
Basic Colors	Black	0	0	0	0	0	0	0	0	0	0	0	0	0	0	0	0	0	0
	Red (63)	1	1	1	1	1	1	0	0	0	0	0	0	0	0	0	0	0	0
	Green (63)	0	0	0	0	0	0	1	1	1	1	1	1	0	0	0	0	0	0
	Blue (63)	0	0	0	0	0	0	0	0	0	0	0	0	1	1	1	1	1	1
	Cyan	0	0	0	0	0	0	1	1	1	1	1	1	1	1	1	1	1	1
	Magenta	1	1	1	1	1	1	0	0	0	0	0	0	1	1	1	1	1	1
	Yellow	1	1	1	1	1	1	1	1	1	1	1	1	0	0	0	0	0	0
	White	1	1	1	1	1	1	1	1	1	1	1	1	1	1	1	1	1	1
Red	Red (00)	0	0	0	0	0	0	0	0	0	0	0	0	0	0	0	0	0	0
	Red (01)	0	0	0	0	0	1	0	0	0	0	0	0	0	0	0	0	0	0
	Red (02)	0	0	0	0	1	0	0	0	0	0	0	0	0	0	0	0	0	0
	Darker																		
	↓	↓	↓	↓	↓	↓	↓	↓	↓	↓	↓	↓	↓	↓	↓	↓	↓	↓	↓
	Brighter																		
	Red (61)	1	1	1	1	0	1	0	0	0	0	0	0	0	0	0	0	0	0
	Red (62)	1	1	1	1	1	0	0	0	0	0	0	0	0	0	0	0	0	0
	Red (63)	1	1	1	1	1	1	0	0	0	0	0	0	0	0	0	0	0	0
Green	Green (00)	0	0	0	0	0	0	0	0	0	0	0	0	0	0	0	0	0	0
	Green (01)	0	0	0	0	0	0	0	0	0	0	0	1	0	0	0	0	0	0
	Green (02)	0	0	0	0	0	0	0	0	0	0	1	0	0	0	0	0	0	0
	Darker																		
	↓	↓	↓	↓	↓	↓	↓	↓	↓	↓	↓	↓	↓	↓	↓	↓	↓	↓	↓
	Brighter																		
	Green (61)	0	0	0	0	0	0	1	1	1	1	0	1	0	0	0	0	0	0
	Green (62)	0	0	0	0	0	0	1	1	1	1	1	0	0	0	0	0	0	0
	Green (63)	0	0	0	0	0	0	1	1	1	1	1	1	0	0	0	0	0	0
Blue	Blue (00)	0	0	0	0	0	0	0	0	0	0	0	0	0	0	0	0	0	0
	Blue (01)	0	0	0	0	0	0	0	0	0	0	0	0	0	0	0	0	0	1
	Blue (02)	0	0	0	0	0	0	0	0	0	0	0	0	0	0	0	0	1	0
	Darker																		
	↓	↓	↓	↓	↓	↓	↓	↓	↓	↓	↓	↓	↓	↓	↓	↓	↓	↓	↓
	Brighter																		
	Blue (61)	0	0	0	0	0	0	0	0	0	0	0	0	1	1	1	1	0	1
	Blue (62)	0	0	0	0	0	0	0	0	0	0	0	0	1	1	1	1	1	0
	Blue (63)	0	0	0	0	0	0	0	0	0	0	0	0	1	1	1	1	1	1

## 11. Interface Timing

### 11-1) Timing Parameters

	Parameter	Symbol	Min.	Typ.	Max.	Unit
Clock	Frequency	1/Tcph	---	25.2	27.8	MHz
	"High" time	Tcwh	18	---	---	ns
	"Low" time	Tcwl	18	---	---	ns
Data	Setup time	Tdsu	10	---	---	ns
	Hold time	Tdhd	10	---	---	ns
Hsync	Period	TH	30.00	31.78	---	us
			770	800	900	clock
	Pulse width	TH <sub>WH</sub>	5	30	---	clock
Vsync	Period	TV	515	525	560	line
	Pulse width	T <sub>WV</sub>	1	3	5	line
Horizontal display period		THd	640	640	640	clock
Vertical display period		TVd	480	480	480	line

Note 11-1 : In case of low-frequency, the deterioration of display quality, flicker etc., may occur.

### 11-2) Display Position in horizontal direction

Display position in horizontal direction is designated by rising timing of ENAB signal.

	Parameter	Symbol	Min.	Typ.	Max.	Unit	Note
ENAB signal	Setup time	Tesu	10	---	---	ns	
	Pulse width	Tep	2	640	640	clock	
Phase difference between Hsync and ENAB signal		THs	112	144	175	clock	

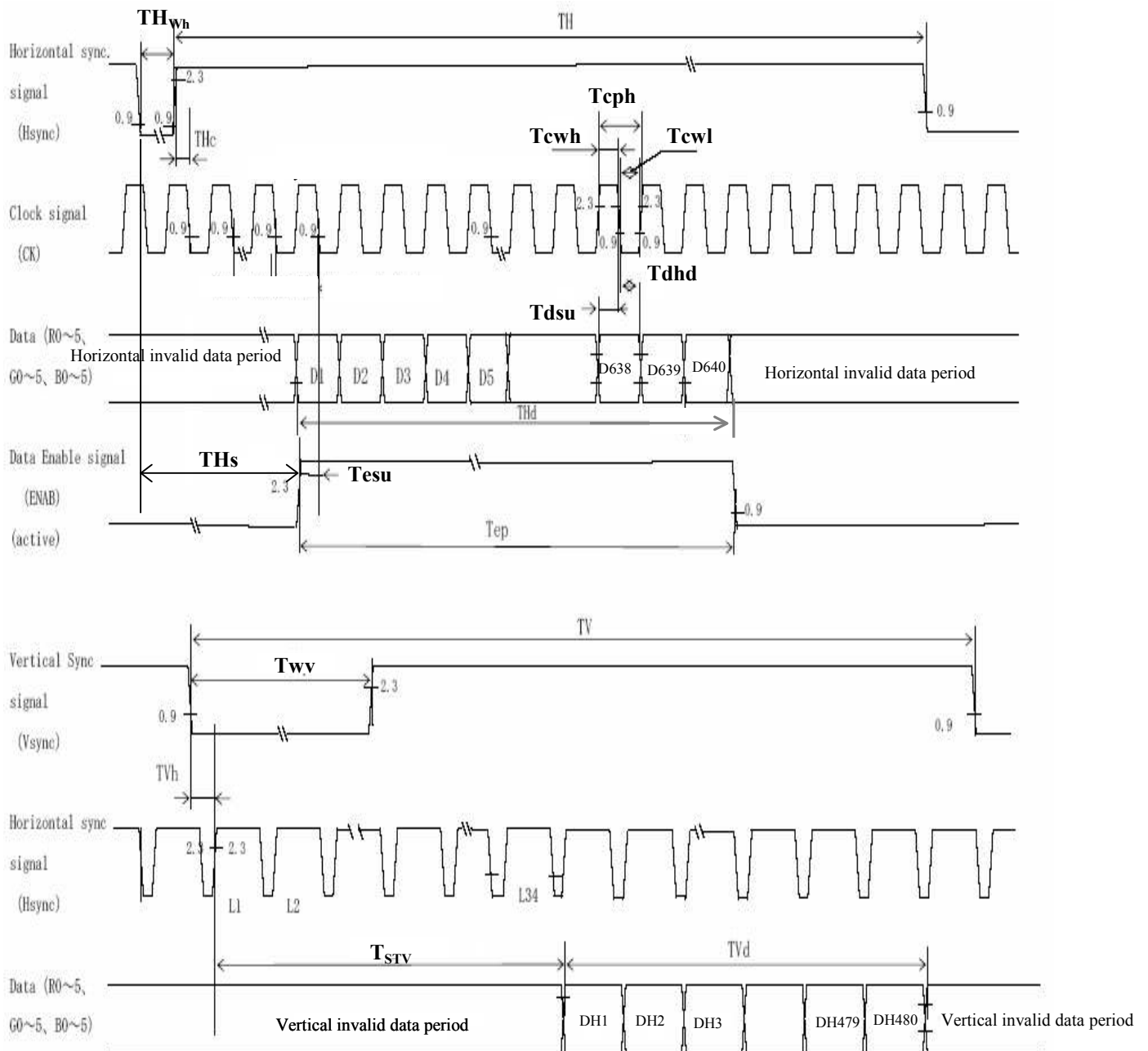
When ENAB is fixed to "Low", the horizontal display will start from 144<sup>th</sup> clock after HS falling.

### 11-3) Display Position in vertical direction

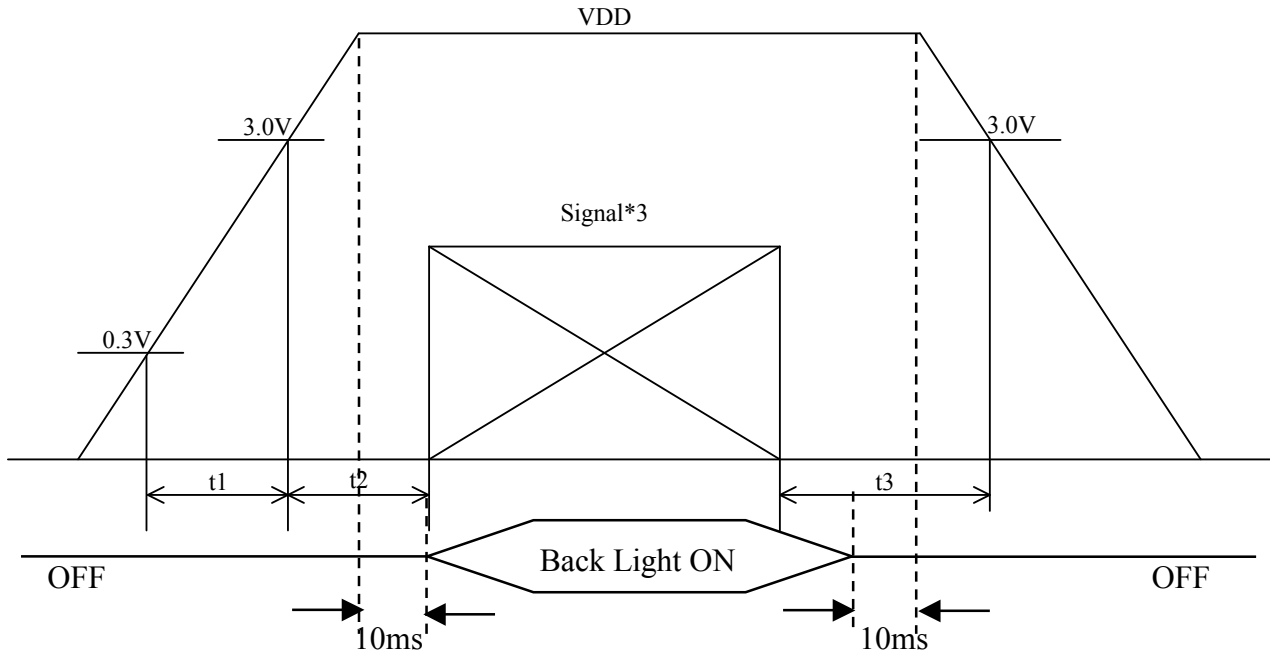
Display start position in vertical direction is fixed to the 35<sup>th</sup> line.

The ENAB signal does not relate to Vertical display position.

11-4) Timing Diagram



**12. Power On Sequence**



1.  $0 < t1 \leq 20\text{ms}$
2.  $0 < t2 \leq 50\text{ms}$
3.  $0 < t3 \leq 1\text{s}$

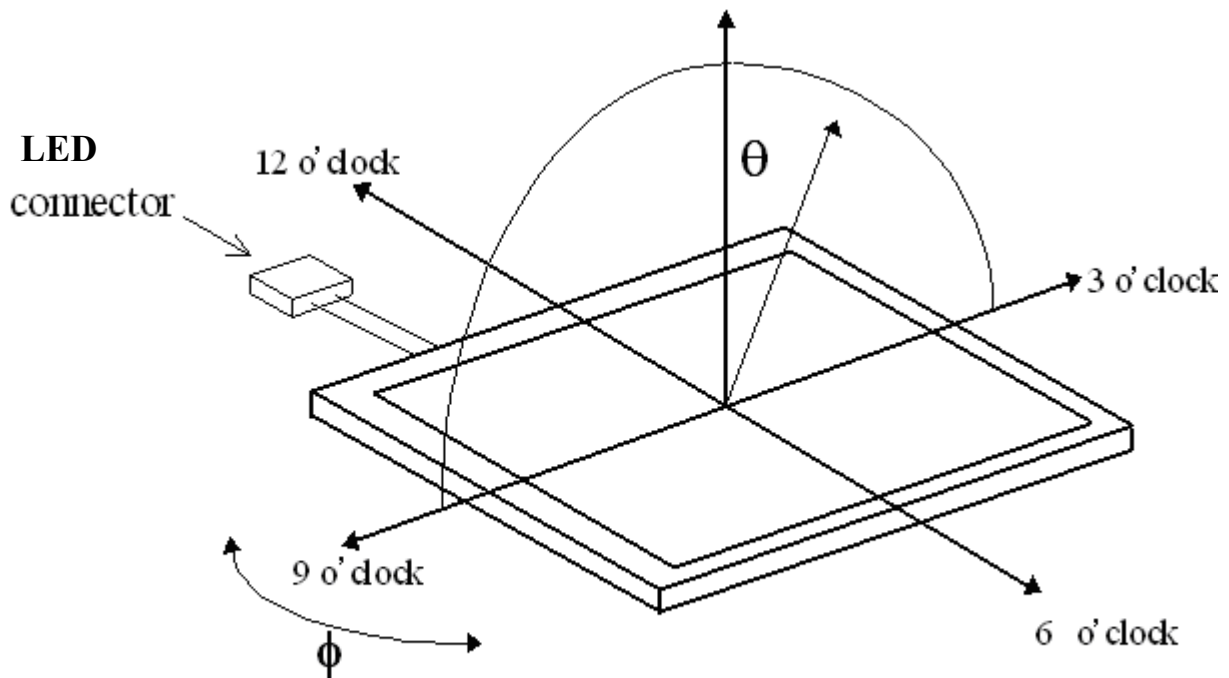
**13. Optical Characteristics**

**13-1) Specification:**

Ta=25°C

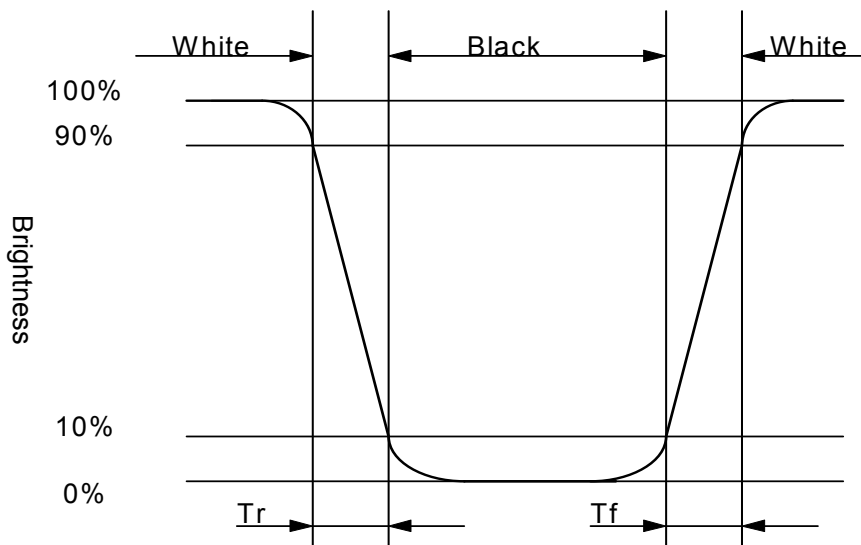
Parameter		Symbol	Condition	MIN.	TYP.	MAX.	Unit	Remarks
Viewing Angle	Horizontal	$\theta$	CR ≥ 10	70	75	-	deg	Note 13-1
	Vertical	$\theta$ (to 6 o'clock)		65	70	-	deg	
		$\theta$ (to 12 o'clock)		45	50	-	deg	
Contrast Ratio		CR	At optimized viewing angle	400	600	-	-	Note 13-2
Response time	Rise	Tr	$\theta = 0^\circ$	-	15	30	ms	Note 13-3
	Fall	Tf		-	25	50	ms	
Brightness		-	$\theta = 0^\circ / \varphi = 0$	350	400	-	cd/m <sup>2</sup>	Note 13-4
Luminance Uniformity		U%		80	85	-	%	Note 13-5
Cross Talk		-	$\theta = 0^\circ$	-	-	3.5	%	Note 13-7
White Chromaticity		x		0.26	0.30	0.34	-	
		y		0.29	0.33	0.37	-	
LED Life Time		-		20000	-	-	hrs	Note 13-6

Note 13-1: The definitions of viewing angles are as follow

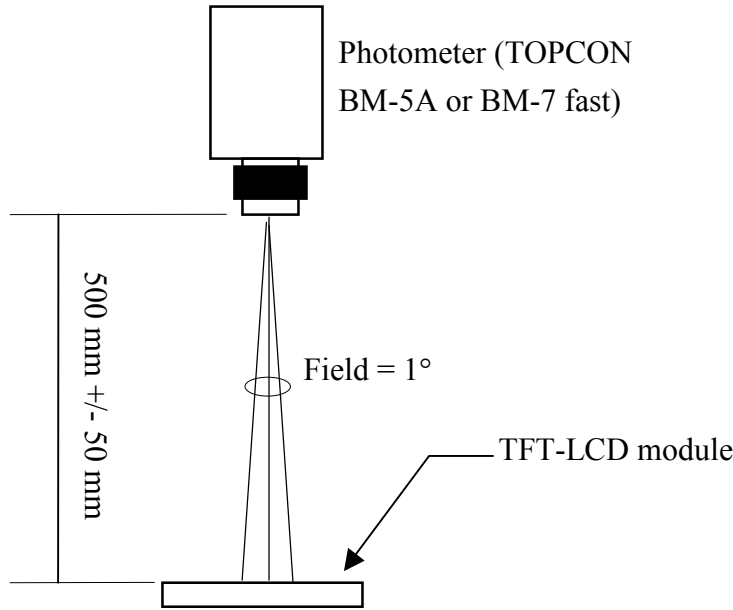


Note 13-2: The definition of contrast ratio  $CR = \frac{\text{Luminance at White Pattern}}{\text{Luminance at Black Pattern}}$

Note 13-3: Definition of Response Time  $T_r$  and  $T_f$ :



Note 13-4: All optical measurements shall be performed after backlight being turned-on for 30 mins. The optical characteristics shall be measured in dark room (ambient illumination on panel surface less than 1 Lux). The measuring configuration shows as following figure.



Optical characteristics measuring configuration

Note 13-5: The uniformity of LCD is defined as

$$U = \frac{\text{The Minimum Brightness of the 9 testing Points}}{\text{The Maximum Brightness of the 9 testing Points}}$$

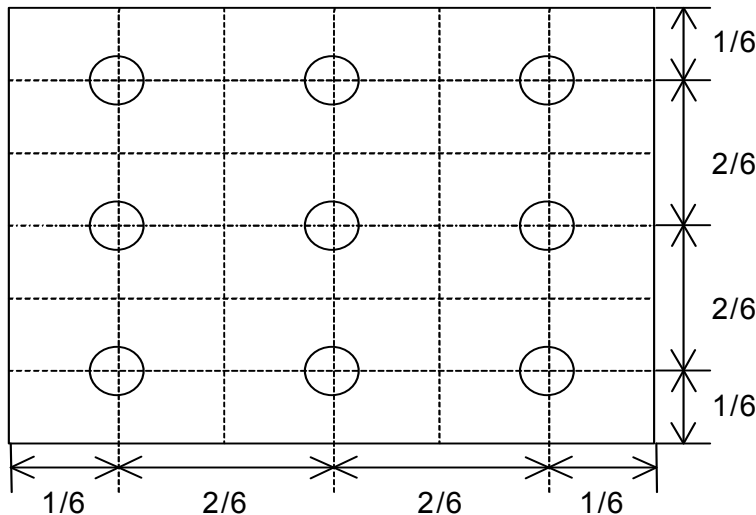
Luminance meter: BM-5A or BM-7 fast (TOPCON)

Measurement distance: 500 mm +/- 50 mm

Ambient illumination: < 1 Lux

Measuring direction: Perpendicular to the surface of module

The test pattern is white



Note 13-6: The “LED Life time “ is defined as the module brightness decrease to 50% original Brightness that the ambient temperature is 25°C and I<sub>LED</sub> = 240mA.

Note 13-7: Cross Talk (CTK) =  $\frac{|YA-YB|}{YA} \times 100\%$

YA: Brightness of Pattern A

YB: Brightness of Pattern B

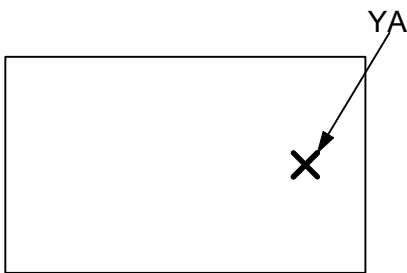
Luminance meter : BM 5A or BM-7 fast (TOPCON)

Measurement distance : 500 mm +/- 50 mm

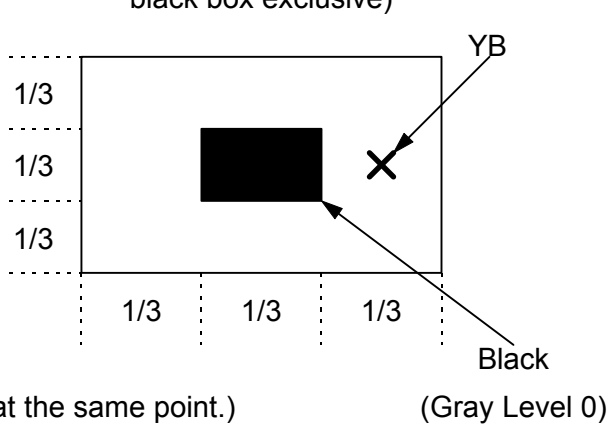
Ambient illumination : < 1 Lux

Measuring direction : Perpendicular to the surface of module

Pattern A  
(Gray Level 31)



Pattern B  
(Gray Level 31, central black box exclusive)



**14. Handling Cautions****14-1) Mounting of module**

- a) Please power off the module when you connect the input/output connector.
- b) Polarizer which is made of soft material and susceptible to flaw must be handled carefully.
- c) Protective film (Laminator) is applied on surface to protect it against scratches and dirt.
- d) Please following the tear off direction as figure 14-1 to remove the protective film as slowly as possible, so that electrostatic charge can be minimized.

**14-2) Precautions in mounting**

- a) When metal part of the TFT-LCD module (shielding lid and rear case) is soiled, wipe it with soft dry cloth.
- b) Wipe off water drops or finger grease immediately. Long contact with water may cause discoloration or spots.
- c) TFT-LCD module uses glass which breaks or cracks easily if dropped or bumped on hard surface. Please handle with care.
- d) Since CMOS LSI is used in the module. So take care of static electricity and earth yourself when handling.

**14-3) Adjusting module**

- a) Adjusting volumes on the rear face of the module have been set optimally before shipment.
- b) Therefore, do not change any adjusted values. If adjusted values are changed, the specifications described may not be satisfied.

**14-4) Others**

- a) Do not expose the module to direct sunlight or intensive ultraviolet rays for many hours.
- b) Store the module at a room temperature place.
- c) The voltage of beginning electric discharge may over the normal voltage because of leakage current from approach conductor by to draw lump read lead line around.
- d) If LCD panel breaks, it is possibly that the liquid crystal escapes from the panel. Avoid putting it into eyes or mouth. When liquid crystal sticks on hands, clothes or feet. Wash it out immediately with soap.
- e) Observe all other precautionary requirements in handling general electronic components.
- f) Please adjust the voltage of common electrode as material of attachment by 1 module.

**14-5) Polarizer mark**

The polarizer mark is to describe the direction of wide view angle film how to match up with the rubbing direction.

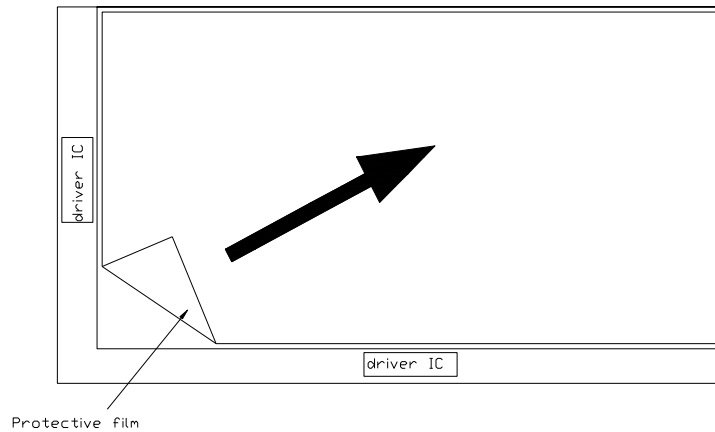


Figure 14-1 the way to peel off protective film

## 15. Reliability Test

No	Test Item	Test Condition	Remark
1	High Temperature Storage Test	Ta = +80°C, 240 hrs	
2	Low Temperature Storage Test	Ta = -40°C, 240 hrs	
3	High Temperature Operation Test	Ta = +70°C, 240 hrs	
4	Low Temperature Operation Test	Ta = -30°C, 240 hrs	
5	High Temperature & High Humidity Operation Test	Ta = +60°C, 90%RH, 240 hrs (No Condensation)	
6	Thermal Cycling Test (non-operating)	-20°C → +70°C, 200 Cycles 30 min 30 min	
7	Vibration Test (non-operating)	Frequency: 10 ~ 57 Hz / Vibration Width: 0.075mm 58-500 Hz / Gravity: 9.8m/s <sup>2</sup> Sweep time: 11 minutes Test period: 3 hrs for each direction of X, Y, Z	
8	Shock Test (non-operating)	Gravity: 490m/s <sup>2</sup> * 6ms Direction: ±X, ±Y, ±Z 3 times for each direction	
9	Electrostatic Discharge Test (non-operating)	150pF · 330Ω Air : ±15KV ; Contact : ±8KV 10 times/point · 9 points/panel face	
10	Hitting Durability Test (Touch panel)	1,000,000 times, with R8.0mm silicon rubber, 250g, 3times/sec	
11	Sliding Durability Test (Touch panel)	1,00,000 times, with R0.8mm polyacetal stylus, 250g, 60mm/sec	

Ta: ambient temperature

Note: The protective film must be removed before temperature test

[Criteria]

In the standard conditions, there is not display function NG issue occurred.  
(Including : line defect, no image) All the cosmetic specification is judged before the reliability stress.

**16. Packing Diagram**

